

# Installing your Puck RailMount Kit

## RAILMOUNT

RAILBLAZA RailMounts™ supports attachment of the robust RAILBLAZA StarPort™ accessories to rails, 32-41mm (1.25-1.6 in) round or square rails!

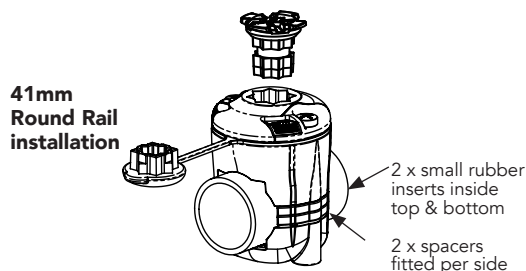
StarPort RailMounts bring the versatility and ease of the StarPort range to your vessel's rails.

To get the best possible use out of your StarPort RailMount, please ensure:

- Rubber inserts avoid slippage when attached to rails.
- StarPort™ includes locking slide for securing accessories firmly in place.
- The gasket and bung reduces water ingress.

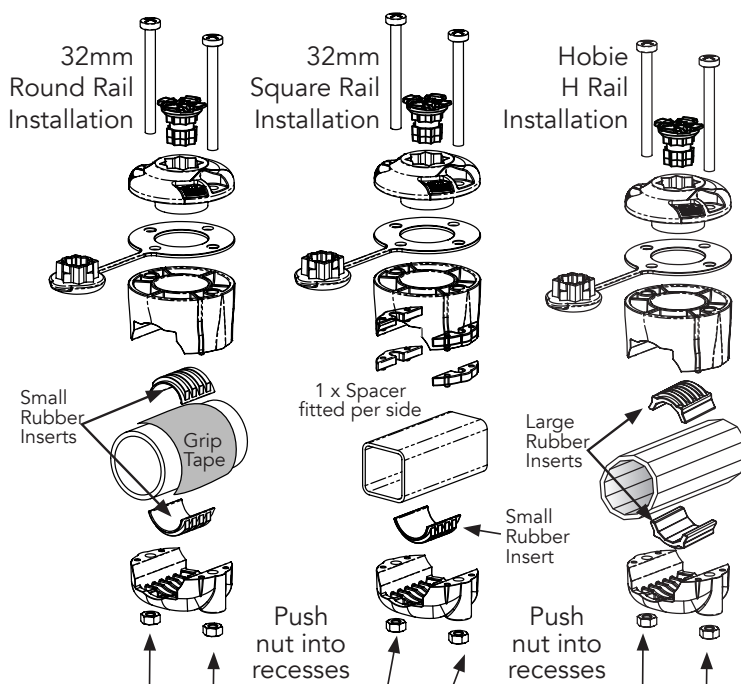
### RailMount 32-41

1. Installation doesn't compromise the use of emergency equipment and doorways.
2. While the RailMount holds the rail firmly, a length of grip tape for extra grip is also supplied (recommended when using with Rod Holders). Peel off the adhesive cover and stick the grip tape on the rail location before mounting.
3. NOTE: The StarPort collar is NOT used for the RailMount.
4. NOTE: Ensure nuts are firmly pressed into the recesses so they don't fall out whilst threading the bolts.



### The RailMount is used for rails from 32-41mm (1.25-1.6 in), round or square.

- 1) Assemble the RailMount as shown and if using grip tape leave for 12 hours before applying full load.
- 2) To fit a 32mm round rail: Use NO spacers; both rubber inserts and grip tape optional.
- 3) To fit a 32mm square rail: Use ONE spacer pair and one rubber insert.
- 4) To fit a 41mm round rail: Use TWO spacer pairs, both rubber inserts, grip tape optional.



**Note:**  
Please do not use Petroleum based lubricants on the StarPort slide. Silicone based products are best suited. (Please check can contents before using).