



# Signature Series CRGBW 10" Subwoofer Installation Instructions

## Important Safety Information

### WARNING

See the *Important Safety and Product Information* guide in the product box for product warnings and other important information.

### WARNING

This device must be installed according to these instructions. Disconnect the vehicle's or vessel's power supply before beginning to install this device.

### CAUTION

Continuous exposure to sound pressure levels over 100 dBA may cause permanent hearing loss. The volume is typically too loud if you cannot hear people speaking around you. Limit the amount of time you listen at high volume. If you experience ringing in your ears or muffled speech, stop listening and have your hearing checked.

To avoid possible personal injury, always wear safety goggles, ear protection, and a dust mask when drilling, cutting, or sanding.

### NOTICE

When drilling or cutting, always check what is on the opposite side of the surface to avoid damaging the vessel.

It is strongly recommended that you have your audio system installed by a professional installer to ensure optimum performance.

You must read all installation instructions before beginning the installation. If you experience difficulty during the installation, go to [www.fusionentertainment.com](http://www.fusionentertainment.com) for product support.

After installing the subwoofer, you should run the subwoofer at low to medium volumes for the first few hours of use. This helps to improve the overall sound by gradually loosening up the moving components of the subwoofer, such as the cone, spider, and surround

## Tools Needed

- Electric drill
- Drill bit (size varies based on surface material)
- Phillips screwdriver
- Appropriate saw or utility knife to cut surface material
- 12 AWG (3.31 mm<sup>2</sup>) or larger speaker wire
- 6.3 mm female speaker spade connectors (recommended)
- 22 AWG (0.33 mm<sup>2</sup>) or larger wire for the LEDs (sports models only)
- 4 mm male and female bullet connectors for the LED wires (recommended, sports models only)
- Wire strippers (optional)
- Crimping tool (optional)
- Electrical tape (optional)
- Marine sealant (optional)

**NOTE:** For customized installations, additional tools and materials may be needed.

## Mounting Considerations

### NOTICE

When mounting the subwoofer in an area exposed to weather or water, you must mount the subwoofer on a vertical surface. If you mount the subwoofer on a horizontal surface facing up, water can gather in and around the subwoofer, causing damage over time.

If you intend to mount the subwoofer outside the boat, you must mount it in a location well above the waterline, where it is not submerged or damaged by docks, pilings, or other pieces of equipment. When mounted correctly, this subwoofer is rated for protection from the front of the speaker. Water exposure and damage to the rear of the subwoofer voids the warranty. This includes situations when the subwoofer is mounted in a sealed enclosure, especially if it is exposed to wash down. Using an enclosure with a port or vent exposed to the outside environment may allow water to collect and damage the subwoofer.

You must turn off the audio system before making any connections to the source unit, amplifier, or speakers. Failure to do so could result in permanent damage to the audio system.

You should protect all terminals and connections from grounding and from each other. Failure to do so could result in permanent damage to the audio system and void the product warranty.

When selecting a mounting location for the subwoofer, observe these considerations:

- You must select mounting locations that provide sufficient clearance for the mounting depth of the subwoofer as specified in the product specifications.
- You should select a flat mounting surface for the best seal.
- You should select a location where the surface material is thick enough to support the weight of the subwoofer. It's important to note that when in use, the subwoofer exerts a pushing and pulling effect on the surface, so if the material is thin, it can result in excess vibration and negatively affect the sound quality.
- You should protect the speaker wires from sharp objects and always use rubber grommets when wiring through panels.
- To avoid interference with a magnetic compass, you should not mount the subwoofer closer to a compass than the compass-safe distance value listed in the product specifications.

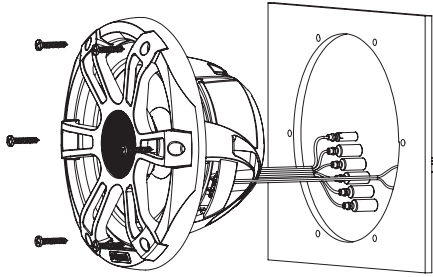
Selecting the correct mounting location optimizes the performance of the subwoofer. Fusion<sup>®</sup> speakers are designed to perform in the widest possible range of mounting locations, but the more you plan the installation, the better the speakers' sound will be. For more information on subwoofer placement and specifications, go to [www.fusionentertainment.com](http://www.fusionentertainment.com).

## Mounting the Subwoofer

Before mounting the subwoofer, you must choose a location following the guidelines above.

- 1 Route the speaker wires (and LED wires, if applicable) from the source to the speaker location.
- 2 Trim the template and make sure it fits in the selected location.
- 3 Orient the template so the Fusion logo is level.
- 4 Secure the template to the selected location.
- 5 Using a jigsaw or rotary tool, cut the mounting surface along the inside of the line on the template.
- 6 Place the subwoofer in the cutout to test the fit.

- 7 If necessary, use a file and sandpaper to refine the size of the cutout.
- 8 After the subwoofer fits correctly in the cutout, ensure the mounting holes on the subwoofer line up with the pilot holes on the template.
- 9 If the mounting holes do not line up, mark the new hole locations.
- 10 Using an appropriately sized drill bit for the mounting surface and screw type, drill the holes.
- 11 Remove the template from the mounting surface.
- 12 Connect the subwoofer wires while observing polarity (*Speaker Wiring, page 2*).
- 13 If necessary, connect the LED wires (*LED Wiring, page 2*).
- 14 Place the subwoofer in the cutout.



- 15 Secure the subwoofer to the mounting surface using the included screws.

**NOTE:** Do not over tighten the screws, especially if the mounting surface is not flat.

For the Classic model subwoofer, attach the grille to the front.

### Speaker Wiring

When connecting the subwoofer to your amplifier, observe these considerations.

- Speaker wire is not included with subwoofer. You should use 12 AWG (3.31 mm<sup>2</sup>) or larger speaker wire to connect the subwoofer to the amplifier.
- The leads on the subwoofer are terminated using male spade connectors. You should use 6.3 mm female spade connectors (not included) to connect the speaker wire to the leads for the best connection.

You can use these tables to identify the polarity of the leads on the subwoofer.

Lead color	Polarity
White	Positive (+)
White with a black stripe	Negative (-)

### LED Wiring

It is recommended to install a Fusion CRGBW Wireless Remote Control with these speakers to turn the LEDs on and off, change the colors, and create lighting effects. See your Fusion dealer or [www.fusionentertainment.com](http://www.fusionentertainment.com) for more information.

You should follow the instructions provided with the remote control to connect the LED wires from the speakers to the remote control receiver module and to connect the receiver module to power.

If you choose not to install the remote control, you can set the static color of the LEDs by connecting the colored LED wires directly to the power source (*Connecting the LED Wires, page 2*).

**NOTE:** LEDs are available only on the sports model.

### Connecting the LED Wires

If you do not install the recommended remote control, you can set the static color of the LEDs by connecting the colored LED wires to the negative (-) terminal of a 12 Vdc power source. You

can splice the negative (-) wire to multiple LED wires to customize the LED color and tone. You must connect the black LED wire to the positive (+) terminal of the same power source to complete the circuit.

The black wire on the LED cable is terminated with a 4 mm female bullet connector, and the color wires are terminated with 4 mm male bullet connectors. You can connect these to 4 mm bullet connectors on your wires (not included), or remove the bullet connectors to connect to the bare wires instead.

You should use 22 AWG (0.33 mm<sup>2</sup>) or thicker wire to connect the LEDs to the battery.

You must connect the positive (+) wire for all of the speaker LEDs to a 3 A fuse near the power-source. You should also connect the positive (+) power wire to the power source through an isolator switch or circuit breaker to turn the LEDs on and off. You can use the same isolator or circuit breaker controlling the power supply to your stereo, which allows you to turn the LEDs and the stereo on and off at the same time.

- 1 Connect the black wire on the LED cable to the positive (+) terminal of the power source .

#### NOTICE

To avoid damage to the speakers or the vessel, you must connect this wire through a 3 A fuse near the power source.

- 2 Connect the negative (-) wire from the same power source to one or more colored wires on the LED cable according to the preferred LED color.

#### NOTICE

You must insulate any unused LED wires to avoid causing a short circuit.

LED Color	LED Wire Color
Red	Red
Green	Green
Blue	Blue
Yellow	Red and green
Magenta	Red and blue
Cyan	Blue and green
Cool white	Turquoise
Warm white	Yellow

**NOTE:** You can connect the cool white or warm white wire to change the tone of any LED color combination.

### Attaching the Grille to the Classic Model Subwoofer

**NOTE:** This feature is available only on the Classic model subwoofer.

- 1 With the subwoofer mounted, hold the grille with the Fusion logo at the bottom, at the 6 o'clock position.
- 2 Turn the grille counter-clockwise about 10°, so the Fusion logo is at the 5 o'clock position.
- 3 Place the grille on the rim of the subwoofer.
- 4 Twist the grille clockwise to secure it.

## Speaker Information

### True-Marine™ Products

True-Marine products are subjected to rigorous environmental testing under harsh marine conditions to surpass industry guidelines for marine products.

Any product that bears the True-Marine stamp of assurance has been designed for simplicity of use and combines advanced marine technologies to deliver an industry leading entertainment experience. All True-Marine products are supported by the Fusion 3-year worldwide limited consumer warranty.

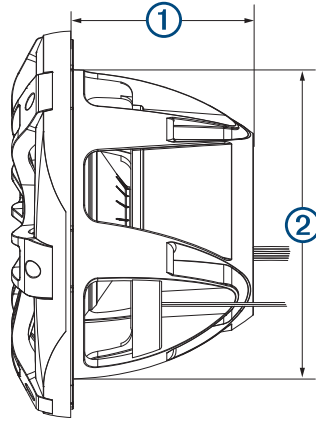
## Registering Your Subwoofer

Help us better support you by completing our online registration today.

- Go to [www.fusionentertainment.com/marine/register](http://www.fusionentertainment.com/marine/register).
- Keep the original sales receipt, or a photocopy, in a safe place.

## Dimension Drawings

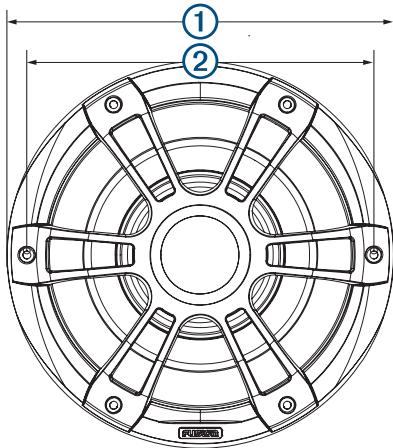
### Side View



①	130 mm (5 1/8 in.)
②	220 mm (8 21/32 in.)

A Sports model subwoofer is shown, but the dimensions are the same for the Classic model.

### Sports Model Front View



①	275 mm (10 13/16 in.)
②	247 mm (9 3/4 in.)

A Sports model subwoofer is shown, but the dimensions are the same for the Classic model.

## Cleaning the Subwoofer

### NOTICE

Do not use harsh or solvent-based cleaners on the subwoofer. Using such cleaners may damage the product and void the warranty.

When mounted correctly, this subwoofer is rated IP65 for protection in the harsh marine environment from the front of the subwoofer. The subwoofer is not designed to withstand high pressure water spray, which may occur when you wash down your vessel. Failure to carefully spray-clean the vessel may damage the product and void the warranty.

- 1 Clean all salt water and salt residue from the grille with a damp cloth soaked in fresh water.
- 2 Use a mild detergent to remove a heavy buildup of salt or stains.

## Specifications

Max. power	600 W
RMS power	300 W
Sensitivity (1 W/1 m)	86 dB
Frequency response	From 30 Hz to 2 kHz
Min. mounting depth (clearance)	133 mm (5 1/4 in.)
Mounting diameter (clearance)	223 mm (8 13/16 in.)
Impedance	4 ohms
Amplifier power-rating recommendation	50 to 400 W RMS, playing music
Compass-safe distance	520 cm (205 in.)
LED supply voltage (Sports model only)	From 10.8 to 16 Vdc
LED load current at 14.4 Vdc (Sports model only)	300 mA
Operating temperature range	From 0 to 50°C (from 32 to 122°F)
Storage temperature range	From -20 to 70°C (from -4 to 158°F)
Cone material	PP cone with Santoprene rubber surround
Water and dust rating	IEC 60529 IP65

## Optimum Enclosure Recommendations

Sealed enclosure volume <sup>1</sup>	27 L (0.95 ft. <sup>3</sup> )
Ported (vented) enclosure volume <sup>2</sup>	45 L (1.6 ft. <sup>3</sup> )
Port diameter	104 mm (4 in.)
Port length	265 mm (10 7/16 in.)

## 低功率電波輻射電機管理宣告

本產品謹遵循中華民國國家通訊傳播委員會所頒布電信管理法，並經驗證通過合格，請使用者遵循相關電信法規以避免違反規定受罰。若使用者欲攜帶本機至其他國家應用，也請遵循該地區或國家之相關法令限制。根據國家通訊傳播委員會低功率射頻器材技術規範規定

### 3.8.2 章節：

取得審驗證明之低功率射頻器材，非經核准，公司、商號或使用者均不得擅自變更頻率、加大功率或變更原設計之特性及功能。

低功率射頻器材之使用不得影響飛航安全及干擾合法通信；經發現有干擾現象時，應立即停用，並改善至無干擾時方得繼續使用。

前項合法通信，指依電信法規規定作業之無線電通信。低功率射頻器材須忍受合法通信或工業、科學及醫療用電波輻射性電機設備之干擾。

## 連絡地址

製造銷售:台灣國際航電股份有限公司

聯絡地址:新北市汐止區樟樹二路 68 號

電話:(02)2642-8999

客服專線:(02)2642-9199

© 2021 Garmin Ltd. or its subsidiaries

Garmin®, the Garmin logo, Fusion®, the Fusion logo, and True-Marine™ are trademarks of Garmin Ltd. or its subsidiaries, registered in the USA and other countries. These trademarks may not be used without the express permission of Garmin.

<sup>1</sup> Fully filled with absorption material.

<sup>2</sup> Lined with absorption material.

