

## Fusion® MS-CBUSB3.5 Installation Instructions

### Important Safety Information

#### ⚠ WARNING

Failure to follow these warnings and cautions could result in personal injury, damage to the vessel, or poor product performance.

See the *Important Safety and Product Information* guide in the stereo box for product warnings and other important information.

This device must be installed according to these instructions.

Disconnect the vessel's power supply before beginning to install this product.

#### ⚠ CAUTION

Always wear safety goggles, ear protection, and a dust mask when drilling, cutting, or sanding.

#### NOTICE

When drilling or cutting, always check what is on the opposite side of the surface.

You must read all installation instructions before beginning the installation. If you experience difficulty during the installation, contact Fusion Product Support.

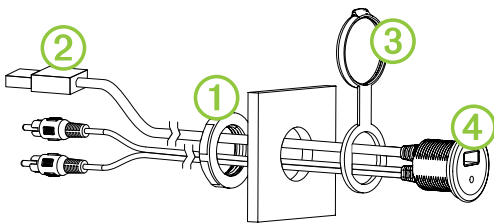
### Installing the USB and 3.5 mm Socket

Before installing the socket, make sure the cables will reach the mounting location and the ports on the back of the device.

You must mount the socket in a location where there is at least 75 mm (2.95 in.) of clearance behind the mounting surface and you can access the USB and 3.5 mm ports on the front after it is mounted.

To allow for a proper seal, the mounting surface should be no thicker than 15 mm ( $\frac{5}{8}$  in.).

- 1 Remove the nut ① from the socket and separate it from the connected cable by pulling through one connector ② at a time.



Do not remove the protective cover ③ from the socket.

- 2 Mark the mounting location of the socket and drill a 29 mm ( $1\frac{1}{8}$  in.) hole through the mounting surface.
- 3 From the front of the mounting surface, feed the cables through the hole by inserting one connector at a time, and pull the cables through until the socket rests in the hole.  
To ensure proper orientation, the USB socket ④ should be on the top.
- 4 Place the nut over both the USB and 3.5 mm audio cables, thread it along the cables to the USB and 3.5 mm socket, and fasten the socket to the surface.
- 5 Route the USB cable to the stereo and connect it to the USB port.

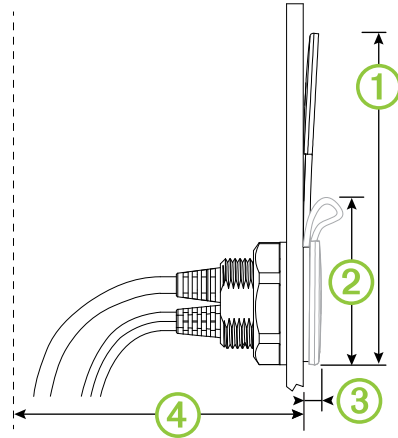
- 6 Route the 3.5 mm connector cable to the stereo and connect it to the AUX IN 1 or AUX IN 2 port.

Audio cables should be routed with at least 10 cm of separation from other cables.

### Specifications

Cable length	2 m (6.5 ft.)
Mounting hole diameter	29 mm ( $1\frac{1}{8}$ in.)
Maximum mounting surface thickness	15 mm ( $\frac{5}{8}$ in.)
Operating temperature range	From 0° to 50°C (from 32° to 122°F)

### Dimensions



①	100 mm (3.94 in.)
②	48 mm (1.89 in.)
③	9 mm (0.35 in.)
④	75 mm (2.95 in.)

