



Deck Bracket for 8.8 in. Wake Tower Speakers Installation Instructions

Important Safety Information

⚠ WARNING

See the *Important Safety and Product Information* guide in the product box for product warnings and other important information.

⚠ WARNING

This device must be installed according to these instructions. Disconnect the vehicle's or vessel's power supply before beginning to install this device.

⚠ CAUTION

Continuous exposure to sound pressure levels over 100 dBA may cause permanent hearing loss. The volume is typically too loud if you cannot hear people speaking around you. Limit the amount of time you listen at high volume. If you experience ringing in your ears or muffled speech, stop listening and have your hearing checked.

Always wear safety goggles, ear protection, and a dust mask when drilling, cutting, or sanding.

NOTICE

When drilling or cutting, always check what is on the opposite side of the surface.

It is strongly recommended that you have your audio system installed by a professional installer to ensure optimum performance.

You must read all installation instructions before beginning the installation. If you experience difficulty during the installation, go to www.fusionentertainment.com for product support.

What's In the Box

- Two deck brackets and bases
- Four short hex screws to secure the brackets to the speakers
- Two long hex screws to secure the brackets to the bases
- Six washers
- Six wood screws to secure the bases to the deck

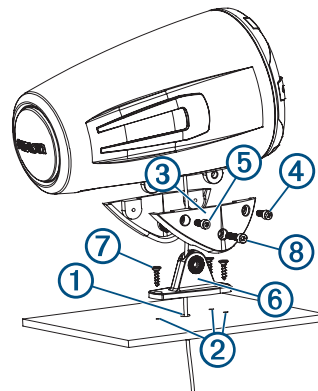
Tools Needed

- 6 mm hex driver or hex key
- Drill
- 12 mm ($\frac{1}{2}$ in.) drill bit for cable pass-through holes
- Drill bit for pilot holes in deck (size varies based on surface material and screws used)
- Alternate stainless-steel mounting hardware appropriate for the surface material (if needed)
- Spreader plate and alternate mounting hardware to reinforce the surface material (if needed)
- Marine-grade sealant, approved for use on mounting surface and cables (recommended)

Mounting the Speakers to the Deck

- 1 Select a mounting location for each speaker.

- 2 Trim the templates and secure them to the selected locations.
- 3 If the surface material is not strong enough to support the weight of the speaker, install a spreader plate (not included) to the underside of the surface material to reinforce it.
- 4 Drill the 12 mm ($\frac{1}{2}$ in.) cable pass-through hole ①.



- 5 Drill the pilot holes ②.
- 6 Remove the templates.
- 7 Attach the bracket ③ to the speaker loosely using the included front screw ④.
- 8 Fasten the included rear screw ⑤ loosely.
- 9 Route the speaker cable through the top of the base ⑥ and out the bottom of the base.
- 10 Route the speaker cable through the pass-through hole in the deck.
- 11 Apply marine sealant around the pass-through hole and the deck.
- 12 Secure the base to the deck using three screws ⑦.
- 13 Place the speaker and bracket on the base.
- 14 Rotate the speaker up or down to the appropriate angle.
- 15 While squeezing the bracket together to engage the teeth, secure the bracket to the base using the long hex screw and washer ⑧ and a 6 mm hex driver or hex key.
- 16 Tighten the front and rear screws on the bracket with a 6 mm hex driver or hex key.
- 17 Using the installation instructions provided with the speakers, complete the speaker cable connection.
- 18 Repeat these steps for additional speakers.

Specifications

Material	Aluminum alloy
Dimensions	Bracket height: 84 mm (3.31 in.) Bracket base: 60 × 123 mm (2.3622 × 4.83 in.)

© 2019 Garmin Ltd. or its subsidiaries
Garmin®, the Garmin logo, FUSION®, and the Fusion logo, are trademarks of Garmin Ltd. or its subsidiaries, registered in the USA and other countries. These trademarks may not be used without the express permission of Garmin.

