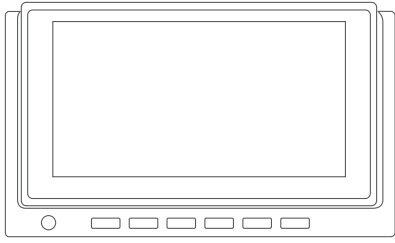


GARMIN



RV-BBT602

Installation Instructions

Important Safety Information

⚠ WARNING

See the *Important Safety and Product Information* guide in the product box for product warnings and other important information.

NOTICE

Failure to follow these cautions could result in damage to the vehicle or poor product performance.

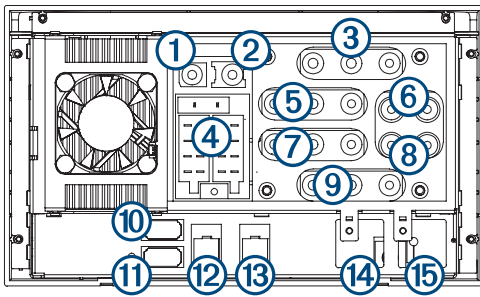
This device must be installed according to these instructions.

Disconnect the vehicle's power supply before beginning to install this product.

Before applying power to this product, make sure it has been correctly grounded according to the installation instructions.

You must read all installation instructions before beginning the installation. If you experience difficulty during the installation, contact Garmin® Product Support.

Connector Identification

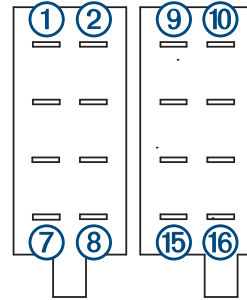


Item	Connector	Notes
①	Microphone input	3.5 mm mono miniplug for the hands-free microphone (included)
②	Video in	Composite video RCA connector
③	Zone 1 line out	Left, right, and subwoofer RCA connectors
④	Wiring harness connectors	The wiring harnesses are not included. See (<i>Pin Identification, page 1</i>) for pinout information.
⑤	Zone 2 line out	Left, right, and subwoofer RCA connectors
⑥	Aux 1 input	Left and right RCA connectors
⑦	Zone 3 line out	Left, right, and subwoofer RCA connectors
⑧	Camera audio input or Aux 2 input	Left and right RCA connectors
⑨	Zone 4 line out	Left, right, and subwoofer RCA connectors

Item	Connector	Notes
⑩	USB (500mA)	Reserved for manufacturer use Compatible only with low-current (<500 mA) USB devices
⑪	USB (2.1A)	Interfaces and charges supported smartphones and USB devices
⑫	CAN BUS 1	Connects to an NRX wired remote control using an adapter (sold separately)
⑬	CAN BUS 2	Reserved for vehicle integration
⑭	Digital Audio Broadcast (DAB) port	Connects to a compatible FUSION® DAB module and antenna
⑮	AM/FM antenna	Connects to the vehicle antenna. The included adapter may be required.

Pin Identification

You can use this pinout diagram and table to create a wiring harness for this device.




Pin	Function
①	Speaker: zone 2 left positive (+)
②	Speaker: zone 2 left negative (-)
③	Speaker: zone 1 left positive (+)
④	Speaker: zone 1 left negative (-)
⑤	Speaker: zone 1 right positive (+)
⑥	Speaker: zone 1 right negative (-)
⑦	Speaker: zone 2 right positive (+)
⑧	Speaker: zone 2 right negative (-)
⑨	Ignition switch positive (+12 Vdc input)
⑩	Power ground (-)
⑪	Amplifier signal (+12 Vdc output)
⑫	Dim
⑬	Not applicable
⑭	Power input positive (+12 Vdc input)
⑮	Backup camera (+12 Vdc to trigger)
⑯	Tel/mute (ground to trigger)

Connecting a FUSION NRX Remote Control

You can connect a FUSION NRX remote control (not included) to the stereo dock using an adapter cable (not included). You can purchase an NRX remote control and the required adapter cable from your FUSION dealer.

You can connect up to three NRX remote controls directly to the stereo dock without connecting them to an additional power source. If you want to connect more than three NRX remote controls to the stereo dock, you must connect them to an additional power source. See the instructions provided with the remote control for more information.

- 1 Install the NRX remote control by following the instructions provided with the remote control.
- 2 Repeat the previous step for each additional NRX remote control you want to install.
- 3 Route the network cable from the NRX remote control network to the location of the stereo dock.

- 4 Connect the adapter cable to the CAN 1 port on the back of the stereo dock.
- 5 Connect the cable from the NRX remote control network to the adapter cable.
- 6 Select an option:
 - If the NRX remote control network connects to an additional power source, continue with the dock installation.
 - If the NRX remote control network does not connect to an additional power source, proceed to the next step.
- 7 Turn on the stereo.
- 8 On the stereo, from the music player, select  > **Settings** > **NRX Power**.
When the check box is filled, the dock supplies power and data to the connected NRX remote controls.

Dock Installation

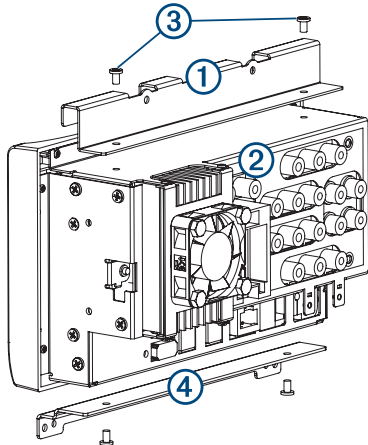
You must use the included bracket to install the device dock into a specific vehicle type.

The product package includes the hardware required to attach the bracket to the dock. The product package does not include the hardware to attach the bracket to the dashboard or the dashboard panel.

Installing the Bracket for FIAT™ Ducato Vehicles

You should use the included screws to attach the bracket to the dock.

- 1 Place the upper half of the bracket ① on the dock ②, aligning the holes in the bracket with the holes on the top of the dock.

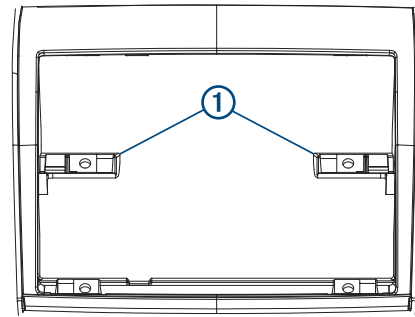


- 2 Using the included screws ③, secure the bracket to the top of the dock.
- 3 Repeat this procedure for the lower half of the bracket ④.

Preparing a FIAT Ducato Dashboard for Installation

The dashboard in a FIAT Ducato must be modified to support a double-DIN stereo.

- 1 If necessary, remove the dashboard panel or components to reach the stereo mounting location.
- 2 Using a utility knife or similar tool, remove the plastic mounting posts in the center of the stereo mounting location ①.



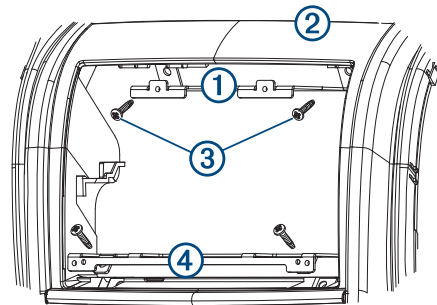
Installing the Dock in a FIAT Ducato Dashboard

Before you can install the dock in the dashboard, you must install the bracket on the dock.

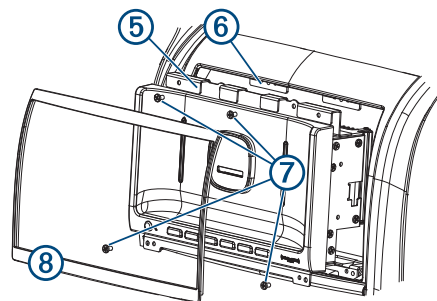
The product package does not include the screws required to fasten the dashboard bracket to the dashboard.

The product package includes the screws required to fasten the dock bracket to the dashboard bracket.

- 1 Place the upper dashboard bracket ① on the dashboard ②, aligning the holes on the bracket with the holes in the dashboard.



- 2 Secure the upper dashboard bracket to the dashboard using screws ③ (not included).
- 3 Repeat this procedure for the lower dashboard bracket ④.
- 4 From inside the dashboard, connect all necessary cables and wires to the dock.
- 5 Place the dock in the dashboard, and connect the dock bracket ⑤ to the dashboard bracket ⑥ using the included screws ⑦.



- 6 Place the bezel ⑧ on the front of the dock. Magnets hold the bezel in place.

Specifications

RV-BBT602 Series Remote Specifications

Operating temperature range	From -20° to 60°C (from -4° to 140°F)
Charging temperature range (vehicle power)	From 0° to 40°C (from 32° to 104°F)

Power input type	Vehicle power using RV-BBT602 series dock or an approved mount accessory and vehicle power cable. AC power using an optional accessory for home or office use only.
Battery type	Rechargeable lithium-ion, 3.7 Vdc
Input	Maximum DC 5 V, 2 A
Wireless protocols	2.4 GHz Bluetooth® wireless technology 2.4 GHz Wi-Fi® technology

© 2017 Garmin Ltd. or its subsidiaries

Garmin®, the Garmin logo, FUSION®, and the Fusion logo are trademarks of Garmin Ltd. or its subsidiaries, registered in the USA and other countries. These trademarks may not be used without the express permission of Garmin.

FIAT™ is a trademark of FCA Group Marketing S.P.A. Corporation Italy.

